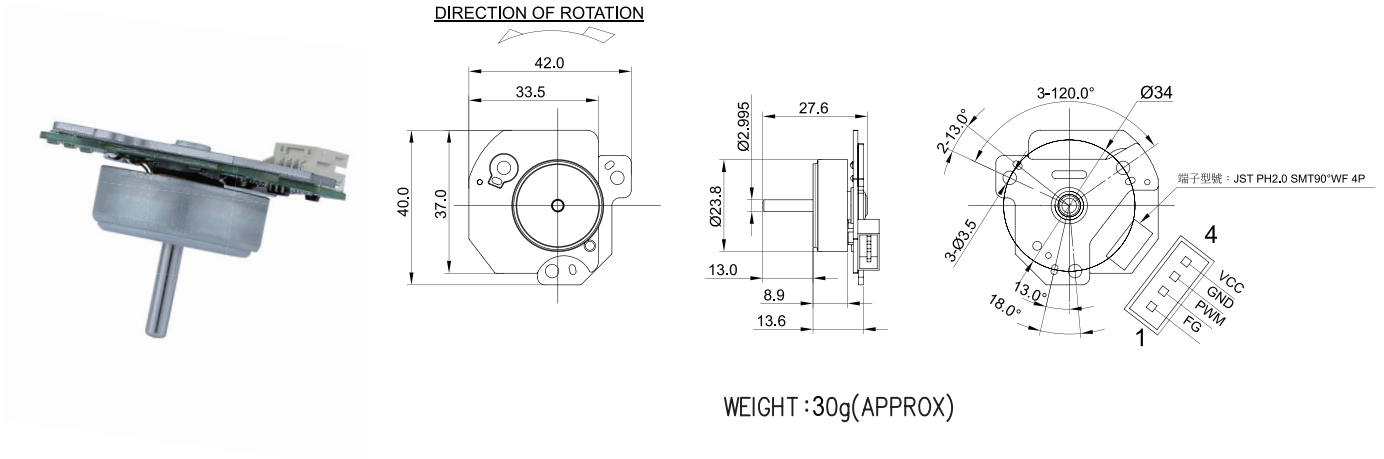


BL2414

Brushless Dc Motor

Application : Robot Vacuum、Fan

用途：智能吸塵機器人、風扇



MODEL	VOLTAGE		NO LOAD		AT MAXIMUM EFFICIENCY					STALL			
	OPERATING RANGE	NOMNAL	SPEED	CURRENT	SPEED	CURRENT	TORQUE	OUTPUT	EFF	CURRENT	TORQUE		
			rpm	A	rpm	A	g-cm	mN-m	W	%	A	g-cm	mN-m
BL24E14B-12V16.8K9W-C0Y0P	10.0-16.0	12.0V CONSTANT	17200	0.4	12359	1.62	86.9	8.52	11.04	58	4.92	351.5	34.45
BL24E14B-14.8V20.5K18W-C0Y0P	10.0-16.0	14.8V CONSTANT	20500	0.3	16155	1.15	61.0	5.98	10.12	67	4.68	333.1	32.66

馬達的出軸長度及性能參數，EMC 對策可依客人要求做調整，詳情可詢問相關業務人員。
Please inquire your sales representative for output, performance and EMC solution.

