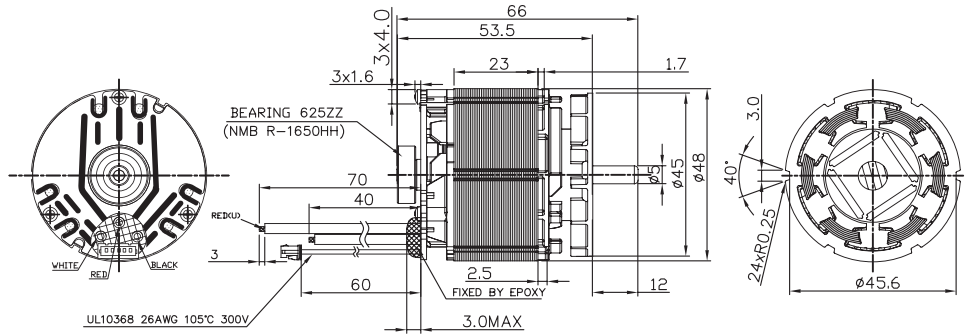
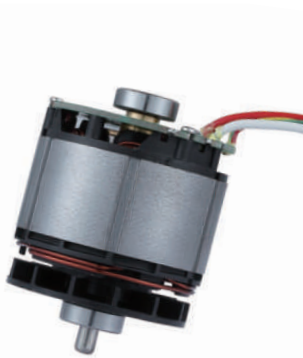


BL48F23

Brushless DC Motor

Application : Power Tools

用途：電動工具



WEIGHT : 330g(APPROX)

LEADWIRE SPECIFICATION AND FUNCTION									
ITEMS	HALL SENSOR LEADWIRE					MOTOR COIL			
	+3.3V	HW	HU	GND	HV	U	V	W	
LEADWIRE	RED	GREEN	BLUE	BLACK	YELLOW	RED	WHITE	BLACK	
COLOR	RED	GREEN	BLUE	BLACK	YELLOW	RED	WHITE	BLACK	

External Controller
外置控制器

MODEL	VOLTAGE		NO LOAD		AT MAXIMUM EFFICIENCY						STALL		
	OPERATING RANGE	NOMINAL	SPEED	CURRENT	SPEED	CURRENT	TORQUE		OUTPUT	EFF	CURRENT	TORQUE	
			rpm	A	rpm	A	Kg-cm	N-m	W	%	A	Kg-cm	N-m
BL48F23S-14.4V24K400W-B1X0N	14.4-21.6V	14.4V CONSTANT	24000	7.80	20243	41.37	2.01	0.20	417.44	72	218.85	12.91	1.27
BL48F23S-18V23K450W-B1X0N	14.4-21.6V	18.0V CONSTANT	23000	4.70	20450	33.50	2.16	0.21	453.84	76	210.75	15.75	1.54

馬達的出軸長度及性能參數，EMC 對策可依客人要求做調整，詳情可詢問相關業務人員。
Please inquire your sales representative for output, performance and EMC solution.

