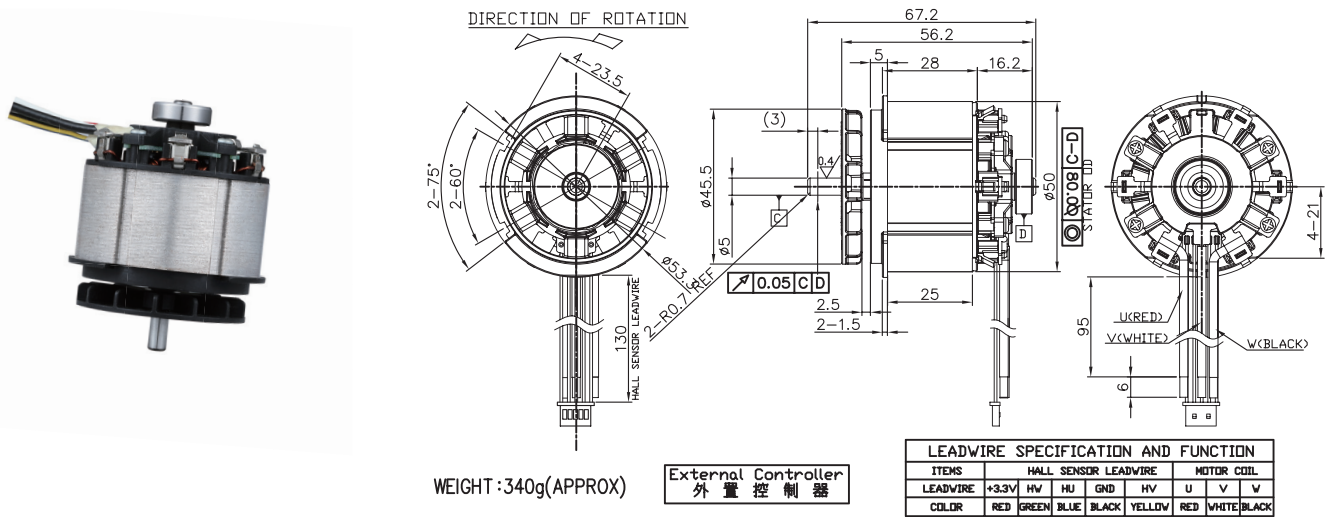


BL50F25

Brushless Dc Motor

Application : Electric Drill 、 Electric Hammer 、 Impact Wrench

用途：電鑽、電錘、衝擊扳手



MODEL	VOLTAGE		NO LOAD		AT MAXIMUM EFFICIENCY					STALL			
	OPERATING RANGE	NOMINAL	SPEED	CURRENT	SPEED	CURRENT	TORQUE	OUTPUT	EFF	CURRENT	TORQUE		
			rpm	A	rpm	A	Kg-cm	mN-m	W	%	A	Kg-cm	mN-m
BL50F25S-18V26K600W-B1X0N	18.0-21.6V	18.0V CONSTANT	26000	6.20	22520	48.0	3.00	294	704	82	240	18.0	176
BL50F25S-21.6V22K450W-B1X0N	18.0-21.6V	21.6V CONSTANT	22000	5.20	19120	26.6	2.20	215	446	79	182	17.5	171

馬達的出軸長度及性能參數，EMC 對策可依客人要求做調整，詳情可詢問相關業務人員。
Please inquire your sales representative for output, performance and EMC solution.

